

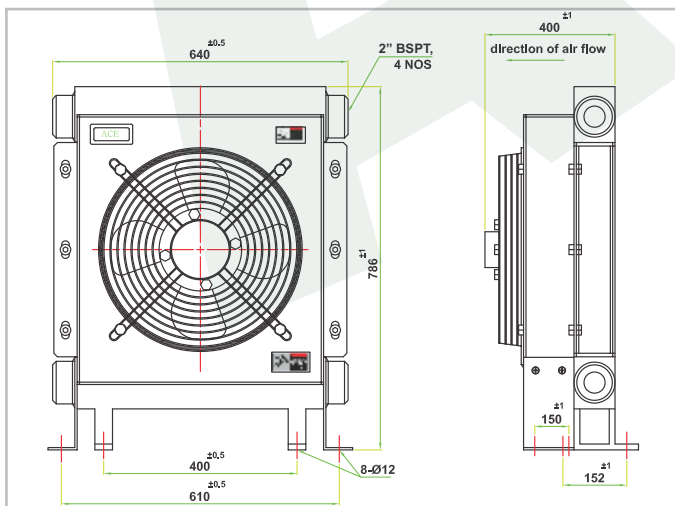
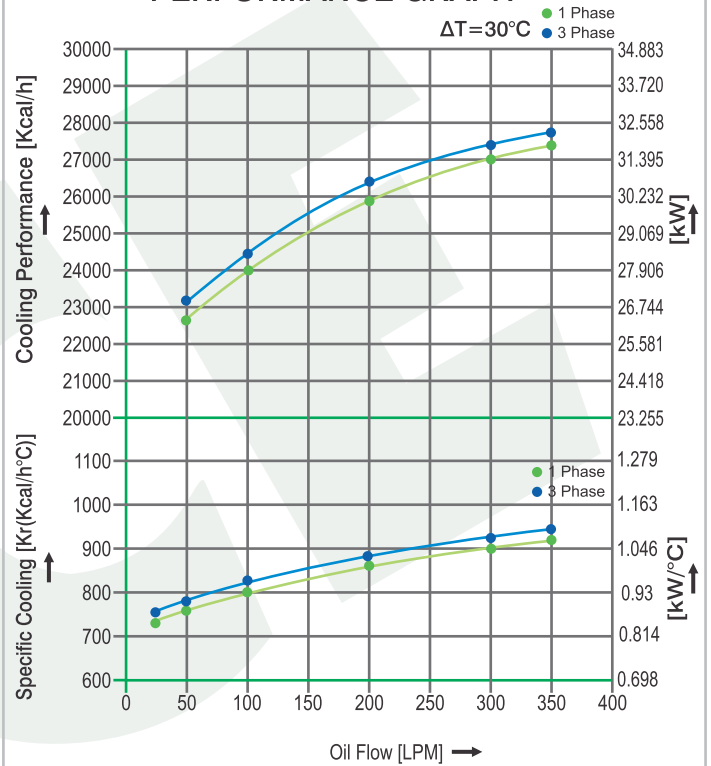
AH 1890 1P & 3P

AIR COOLED OIL COOLERS

Oil Flow LPM	Fan Size Inch (mm)	No. of Fans	Phase	Power Source	Voltage V	Frequency Hz	Current A	Noise dBA
30-300	18" (450)	1	1P	AC	230	50	1.2	79
30-300	18" (450)	1	3P	AC	415	50	0.6	79



PERFORMANCE GRAPH



PRESSURE DROP

